

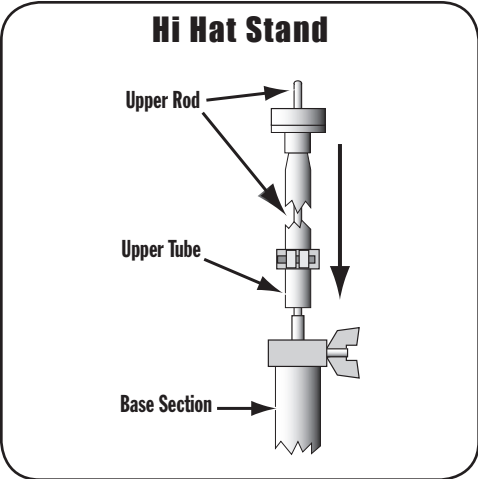
Bass Drum Pedal

Step 1: Remove the rubber band from the radius rod of the Bass Drum Pedal (P) and insert the radius rod into the holes at the bottom of the pedal's base.

Step 2: Rotate the hex shaft counter clockwise until the spring hub is at the 6:00 position and the chain is wrapped around the cam. Stretch the spring up onto the rocker hub.

Step 3: Attach the pedal to the bottom of the bass drum hoop on the clear batter head side using the drum key screw activated clamp on the side of the pedal.

Step 4: Secure the beater ball rod into the rocker hub so that the ball rests about one inch higher than the center of the bass drum head. Position either the felt or the rounded plastic side towards the head depending on your preference.



Hi Hat Stand

Step 1: Spread the legs on the bottom section of the Hi-Hat Stand (Q).

Step 2: Screw the upper rod into the the center of the stand. **DO NOT PLACE THE ROD IN THE STAND WITHOUT SCREWING IT IN.** Turn it clockwise until it is hand-tightened.

Step 3: Remove the clutch from the upper rod. Slide the upper tube of the hi-hat stand into the base section and tighten the wing screw.

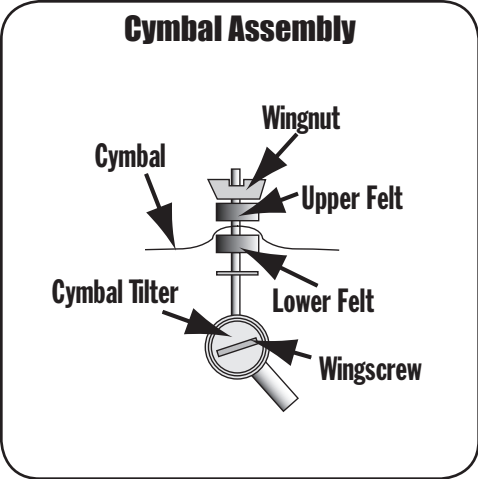
NOTE: To attach hi-hat cymbals (not included), place the bottom hi-hat cymbal through the rod so that it rests upside-down on the felt seat at the top of the upper tube. Open the clutch by removing the bottom nut and felt washer. Position the stem of the clutch through the hole in the top hi-hat cymbal and replace the nut and felt. Using the top nut, adjust the space between the cymbal and felts. Place the clutch on the rod and tighten the wingscrew so that the clutch sits 3/4" to 1" above the bottom cymbal.

Final Adjustments

Cymbals (not included): Place your cymbals on the top (tilter section) of the stand. Be sure to use a felt washer above and below each cymbal. Then hand-tighten the wing nut on top of each tilter.

Adjustments: Position the snare, 14" tom and hi-hat stand behind the bass drum. Sit at your drum kit and adjust the heights and angles of all your drums and cymbals to a comfortable playing position. Adjust tuning as necessary, please see below for tuning guidelines.

Have fun! Play by yourself, play with records or start a band. Ask your local authorized Pacific Drums and Percussion dealer about available add-on drums, hardware, accessories, books, videos and lessons.



Cymbal Assembly

Tuning Your Pacific Drums

There is a standard "criss-cross" pattern in which you should ALWAYS tune a drum. Use the recommended tuning sequence positions indicated on your snare drum as a guide. Use this criss-cross sequence for each drum you tune. The following suggestions begin with the drums completely assembled and the tension rods finger-tight.

Step 1: Start with the snare drum. Take your Drum Key (A) and place it over the tension rod at position 1. Give the key two turns clockwise.

Step 2: Repeat at positions 2, 3, 4, 5, 6, 7, and 8.

Step 4: Return to position 1 and turn the key a quarter of a turn and tap the drum with your finger about two inches in front of the tension rod. Using the criss-cross method continue tightening each tension rod while tapping the drum to make sure it sounds like the last position. Continue this process around the drum.

Step 5: When each position is the same pitch as all the other positions, you are ready to start tuning the bottom (resonant) head.

Step 6: Follow the same procedure and pattern for the bottom (resonant) head. It is best to tune the resonant head slightly higher than the batter head for the Snare and Bass Drums and slightly lower in pitch for your Tom Toms.

Step 7: Use this same procedure for each drum, including the Bass Drum and Tom-Toms.



Final Adjustments



**M5 SERIES DRUMSETS
ASSEMBLY AND SET-UP GUIDE
1-YEAR LIMITED WARRANTY**

Congratulations on your purchase of this Pacific Drum Kit. The following directions are a step-by-step guide to get you playing your new drums as quickly as possible. The only tool you will need is the Pacific drum key that is supplied with your kit.

Before starting assembly and set-up, carefully unpack all of the contents in the boxes that come with your kit (listed on page 2). Separate the items by group; drums to one side, hardware to another and the contents of the accessory/parts bag to another area.

Additional tips and information can be found at www.pacificdrums.com

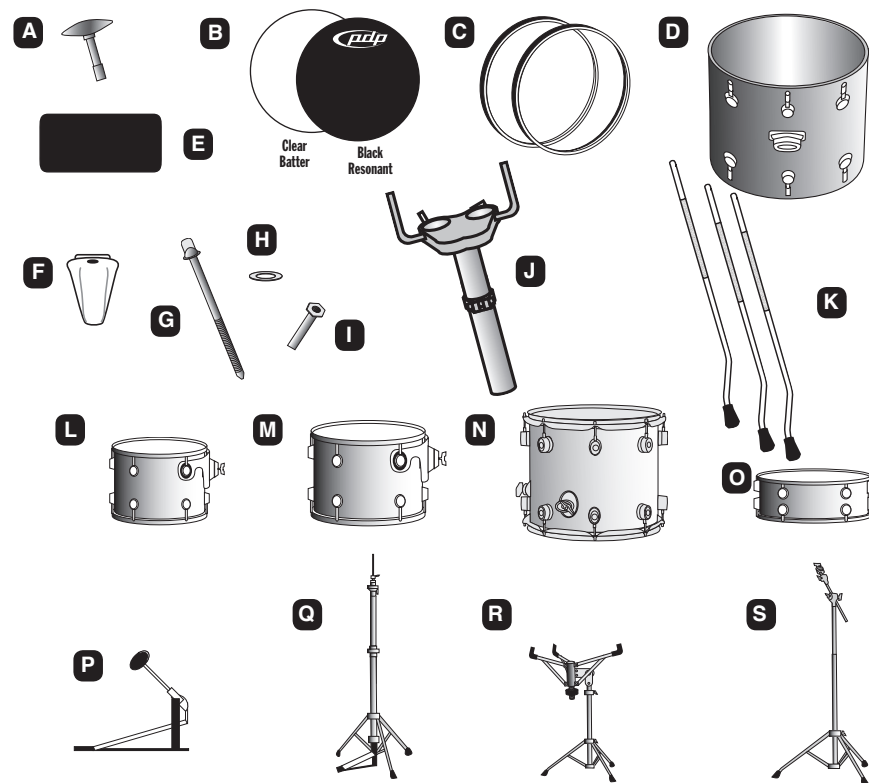
PACIFIC DRUMS & PERCUSSION 1 YEAR LIMITED WARRANTY

This warranty protects the original retail purchaser, only. If a covered product or component fails due to a manufacturing or material defect, Pacific will repair or replace the product at no charge. To obtain warranty service, return the product to your authorized Pacific Drums dealer along with your original proof of purchase. In the case that the dealer is unable to correct a warranty defect, the dealer will then contact Pacific for further instructions and to obtain a Return Authorization (RA) number. No shipments will be accepted without an RA number. Any and all shipping charges are the responsibility of the purchaser.

This warranty does not apply to 1) drums purchased from a source other than an authorized Pacific Drums dealer, 2) any owner other than the original purchaser, 3) defects caused by neglect, moisture, extreme temperatures, handling, shipping or use under normal playing conditions, 4) finishes, 5) alterations made after the product leaves the factory and 6) drumheads. Pacific Drums and Percussion shall not be liable for incidental, consequential or other damages that may arise as a result of or related to any defect or failure of this product. This warranty gives you specific legal rights. You may also have other rights which vary from state to state.

Component	drum shells	drum finishes	drum hardware
Length of Coverage	1 year	1 year	1 year

Package Contents



Parts

- A Drum Key (1)
- B Bass Drum Heads (2)
(one clear batter & one black logo resonant)
- C Bass Drum Hoops (2)
- D 18x22" Bass Drum Shell (1)
- E Bass Drum Pillow (1)
- F Claw Hooks (16)
- G Tension Rods (16)
- H Metal Washers (16)
- I Lug Receivers (2 - spares for tom toms)
- J Bass Drum Mount (1)
- K Floor Tom Legs (3)

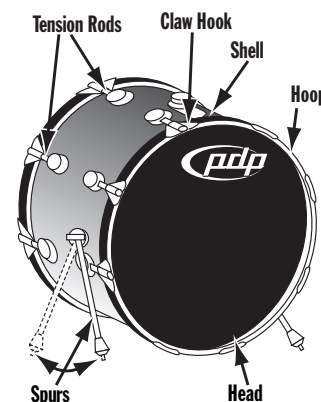
Drums

- L 8x10" Tom Tom (1 - assembled)
- M 9x12" Tom Tom (1 - assembled)
- N 12x14" Tom Tom (1 - assembled)
- O 5x14" Snare (1 - assembled)

Hardware

- P Bass Drum Pedal (1)
- Q Hi-Hat Stand (1)
- R Snare Drum Stand (1)
- S Cymbal Stand (1)

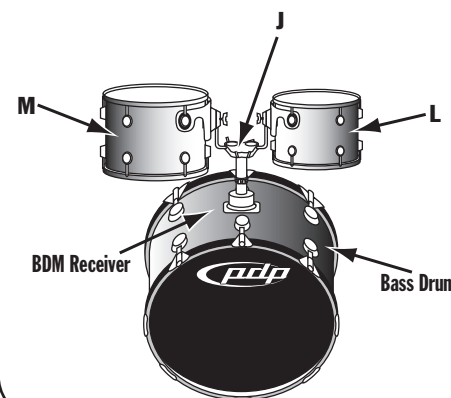
Bass Drum Assembly



Bass Drum Assembly (continued)

- Step 9:** Set the shell right-side-up
- Step 10:** Angle the spurs (legs) forward by loosening the wing nut so they face slightly towards the front of the bass drum.
- Step 11:** Loosen the spur receiver with the Drum Key (A) and lower the legs so that the front of the bass drum is lifted about one inch off the ground. Tighten the spurs.
- NOTE:** For convenience, you may now want to tune your bass drum before attaching the toms and pedal. Please refer to page 4 for tuning guidelines.

10" and 12" Tom Toms

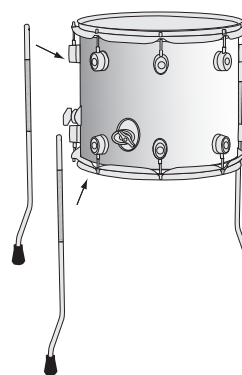


10" and 12" Tom Toms

- Step 1:** Insert the BDM (J) into the BDM receiver on top of the bass drum.
- Step 2:** Loosen the wing screw on the bracket of the 10" Tom Tom (L) and slide it over the tom arm on the left (from a right-handed drummer's perspective behind the kit - reverse if you play left-handed). Take care that the tom arm does not touch the tom shell. Tighten the wing screw on the tom bracket.
- Step 3:** Loosen the wing screw on the bracket of the 12" Tom Tom (M). Position it on the right tom arm (reverse if you play left-handed). Take care that the tom arm does not touch the tom shell. Tighten the wing screw on the tom bracket.

NOTE: Don't worry about the precise placement of the drums at this point. You will arrange them all later.

14" Floor Tom with legs

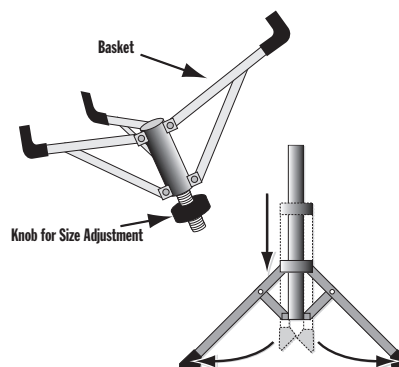


14" Floor Tom

- Step 1:** Turn drum upside down so that brackets are closest to the top.
- Step 2:** Loosen the wing screws on all three brackets. Then, evenly insert floor tom legs to the top third of each knurled section, with the rubber feet facing upwards.
- Step 3:** Turn drum upright and adjust height and angle to preference.

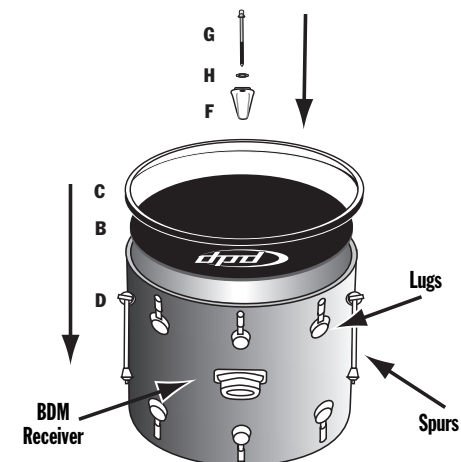
Snare Drum and Snare Stand

Snare Drum and Snare Stand



- Step 1:** Spread the legs on the bottom section of the Snare Stand (R) and tighten the wing screw. Slide the upper section of the snare stand into the base section and tighten that wing screw.
- Step 2:** Loosen the basket wing screw on the upper section of the snare stand and tip the basket up. Pull open the basket arms. To further open or close the arms, use the knob located at the base of the basket.
- Step 3:** Place the Snare Drum (O) into the open basket. Tighten the knob under the basket to make the arms snug around the snare drum.

Bass Drum Assembly



Step 1: Set the bass drum shell (D) on its side with the spurs (legs) towards the top. Place the black "Pacific" logo head (B) over the shell. Center the logo underneath the BDM (Bass Drum Mount) Receiver located on top of the bass drum.

Step 2: Place one of the hoops (C) over the bass drum head with the flat side of the hoop against the head.

Step 3: Slide 8 metal washers (H) onto 8 tension rods (G). Then slide the tension rods into 8 claw hooks (F).

Step 4: Position each claw hook and tension rod into the lugs around the shell and tighten by hand only. (You will fully tighten and tune the drum later.)

Step 5: Set the shell right-side-up

Step 6: Remove the plastic backing from the self-adhesive Velcro tape on the bass drum pillow (E). Attach the pillow inside the bottom of the shell with the adhesive. The pillow should be positioned towards the back of the shell so that it will lightly touch the batter head when assembled.

Step 7: Turn the drum on its side (black head down) with the pillow towards the top. Place the clear batter head (B) over the shell. Center the logo underneath the BDM (Bass Drum Mount) Receiver located on top of the bass drum.

Step 8: Repeat steps 2 through 4 for the batter head.

Bass Drum Assembly

